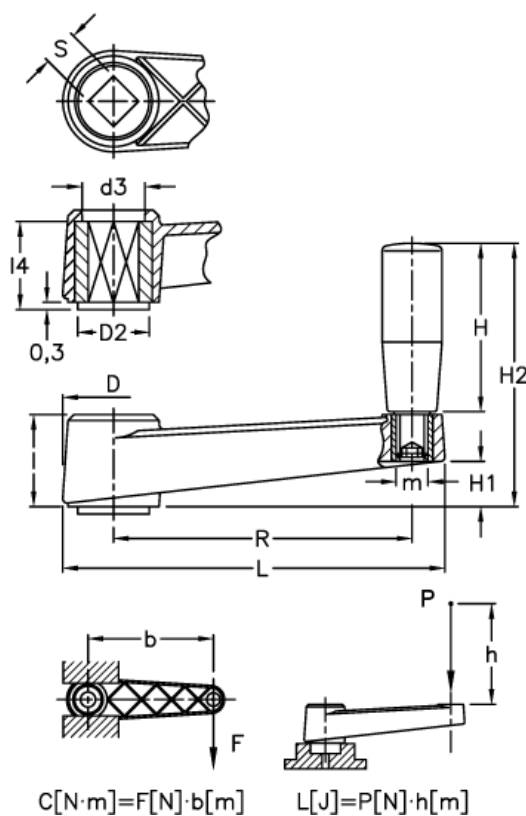


Data Sheet



Article number: 2301044111
Description: E+G Crank handle
MT.64 AS-8x8

Measures



C (N m) = 120	L = 86
D = 27	$L(J)$ = 11
$d2$ = 18	$l4$ = 19
$d3$ = 16	m = M6
H = 40	R = 64
$H1$ = 10	S H9 = 8x8
$H2$ = 63	
l = 23	